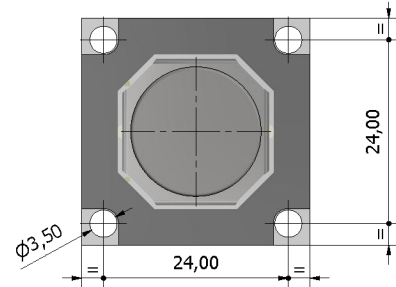
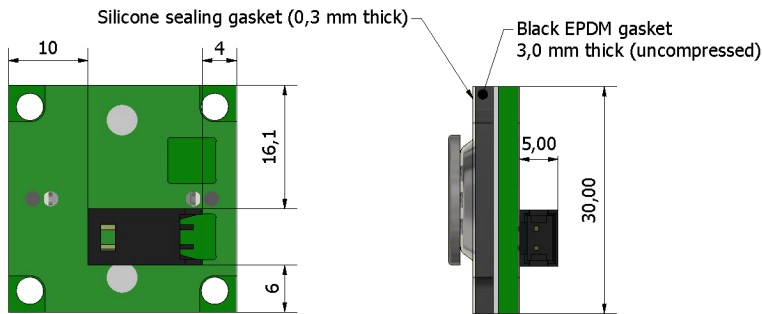
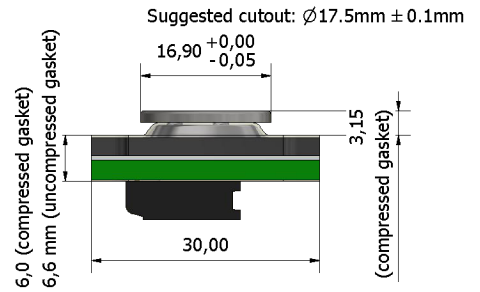
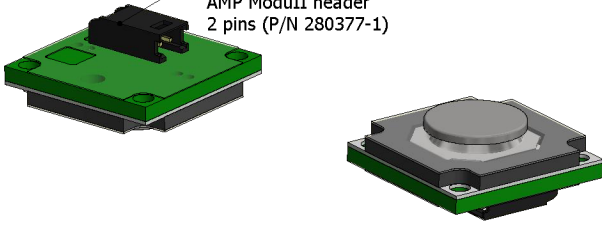


Button N.O. contact
AMP ModuII header
2 pins (P/N 280377-1)



Material	AISI 316L Stainless steel (1,5 mm thick) buttons with built-in silicone rubber sealing gasket
Button stroke	0,6 mm +/- 0,1 mm
Actuation force	4,0 N (typical)
Life expectancy	>3.000.000 cycles
IP Protection rate	IP65
Impact Protection Rate	IK08
Contact technology	Stainless steel metal dome on Gold plated PCB
Contact resistance	<30 Ohm (Vmax=12Vdc; Imax=20mA)
Insulation resistance	>500K Ohm (Vmax=12Vdc; Imax=20mA)
Connection	N.O. contact on 2 pins connector
Operating temperature	-25°/+85°C
Storage temperature	-25°/+85°C

Compliance: RohS III (2015/863/EU)

Tolerances: >0-6: ±0.05 mm >6-30: ±0.1 mm >30-120: ±0.15 mm	Date	Name	<h1>YME IP 01 A</h1>
	06/12	dr	
Revised	06/21	dr	
IP rating	05/19	dr	
Rename	02/14	dr	<h1>30 26 52</h1>
Rename	11/13	dr	
Modifications	Date	Name	knitter-switch
			Page 1/1